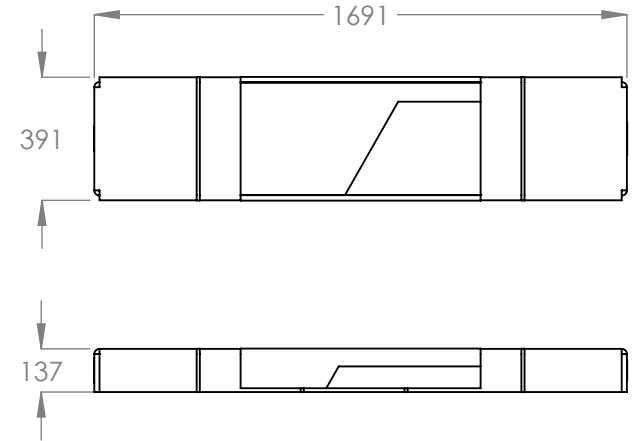
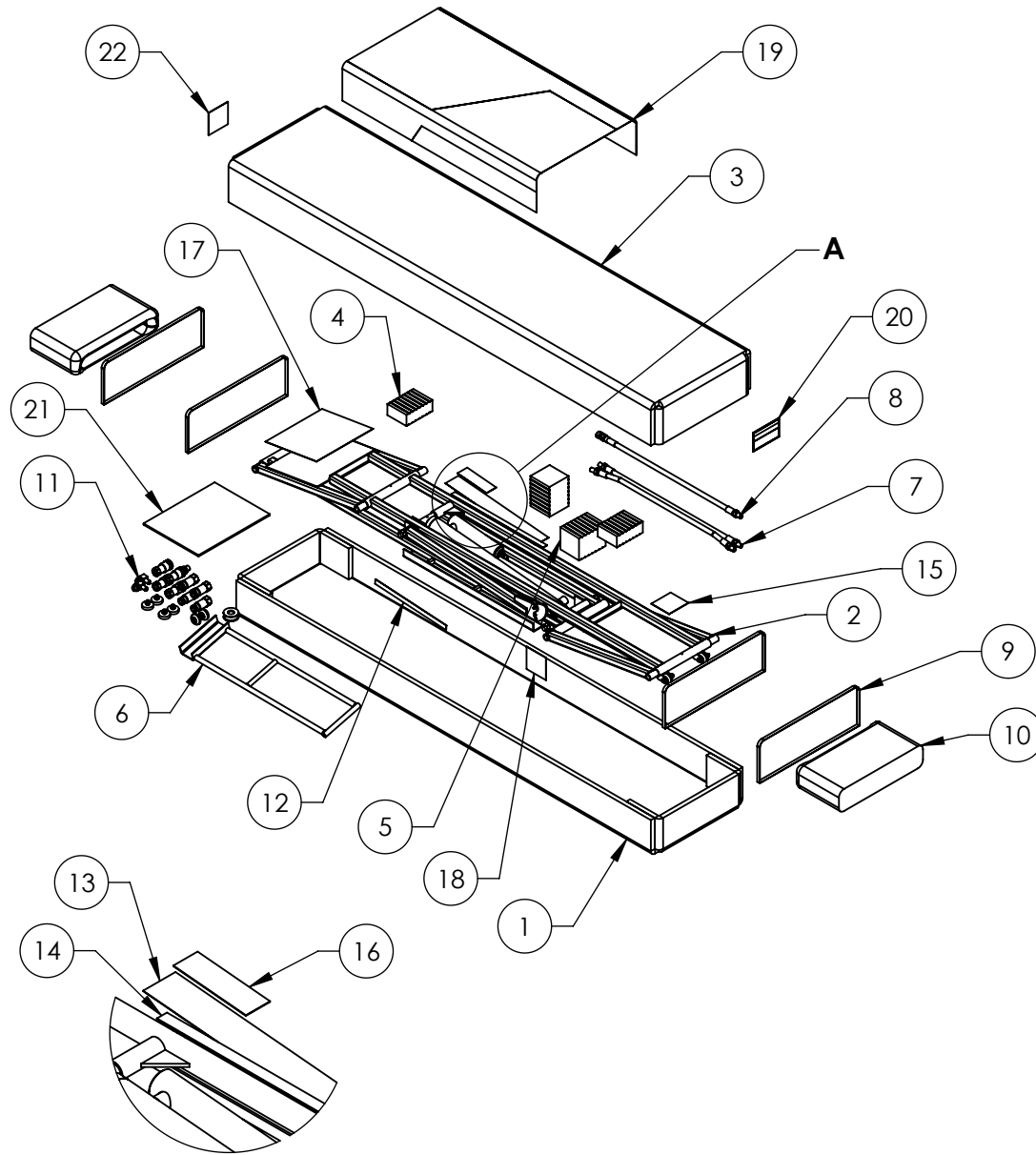


REV	DESCRIPTION	REVISION	DATE	EDITED BY	ECO#
B	UPDATED BOM REVISIONS		08/10/2015	TM	00716
C	UPDATED BOM REVISION		09/03/2015	TM	00722
D	REPLACED 5930801 WITH 5905150, ADDED 5905285, UPDATED BOM REVISIONS		09/28/2015	TM	00731



ITEM NO	PART NUMBER	DESCRIPTION	QTY	REV
1	5781118	BL-3500SLX BOX BOTTOM	1	A
2	5215416	BL-3500SLX FRAME ASSEMBLY, L.H.	1	D
3	5781117	BL-3500SLX BOX TOP	1	A
4	5300860	BL-3500SLX 38mm (1.5") RUBBER PAD	2	F
5	5300865	BL SERIES 75mm (3") RUBBER PAD	2	E
6	5600725	BL SERIES HANDLE WELDMENT	1	D
7	5570203	BL SERIES TWIN HOSE ASSEMBLY Ø6.4 x 3810mm	1	C
8	5570202	BL SERIES HOSE ASSEMBLY Ø6.4 x 603mm	1	C
9	5930575	50" PLASTIC STRAPPING	4	A
10	5930101	INSTANT FOAM PACKAGING	A/R	--
11	5250005	BL SERIES PARTS BOX	1	G
12	5905581	DECAL; WARNING/SAFETY LOCK DEVICE/QUICKJACK	1	--
13	5905745	BL SERIES CYLINDER DECAL	1	--
14	5905750	BL SERIES CAUTION, KEEP HANDS CLEAR	1	--
15	5905765	BL SERIES DO NOT DRIVE ON LABEL	1	--
16	5905770	BL SERIES DANGER AIR LABEL	1	--
17	5905740	BL-3500SLX/ALX CAUTION LABEL	1	--
18	5905150	SERIAL NUMBER INTERIOR TAG PLATE	1	--
19	5905601	BL-3500LX Packaging-LEFT, BOX/CARTON 1	1	--
20	5905609	BL SERIES CARTON 1 CONTENTS LABEL	1	--
21	5900395	BL SERIES INSTALLATION MANUAL	1	--
22	5905285	SERIALTAG EXTERIOR PEEL OFF INVENTORY LABEL	1	--

NOTE: UNLESS OTHERWISE SPECIFIED.

1. ASSEMBLE ITEMS AS SHOWN
2. ALL LABELS TO BE APPLIED AFTER PAINTING.
3. SEE ATTACHED LABEL PLACEMENT SHEET
4. HOSES SHOWN IN REPRESENTATIONAL FORM
5. COIL HOSES INSIDE BOX
6. ADD FITTINGS TO PLASTIC BAG AND SECURE INSIDE BOX

DO NOT SCALE DRAWING

NAME: TM DATE: 06/29/2015

DRAWN: TM

CHECKED:

DIMENSIONS ARE IN MM

THIRD ANGLE PROJECTION

PROPRIETARY AND CONFIDENTIAL
THE INFORMATION CONTAINED IN THIS DRAWING IS THE SOLE PROPERTY OF BENDPAK INC. ANY REPRODUCTION IN PART OR AS A WHOLE WITHOUT THE WRITTEN PERMISSION OF BENDPAK INC. IS PROHIBITED.

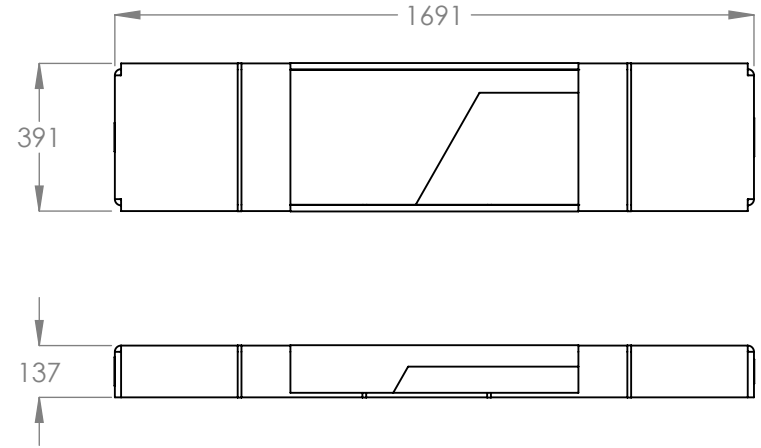
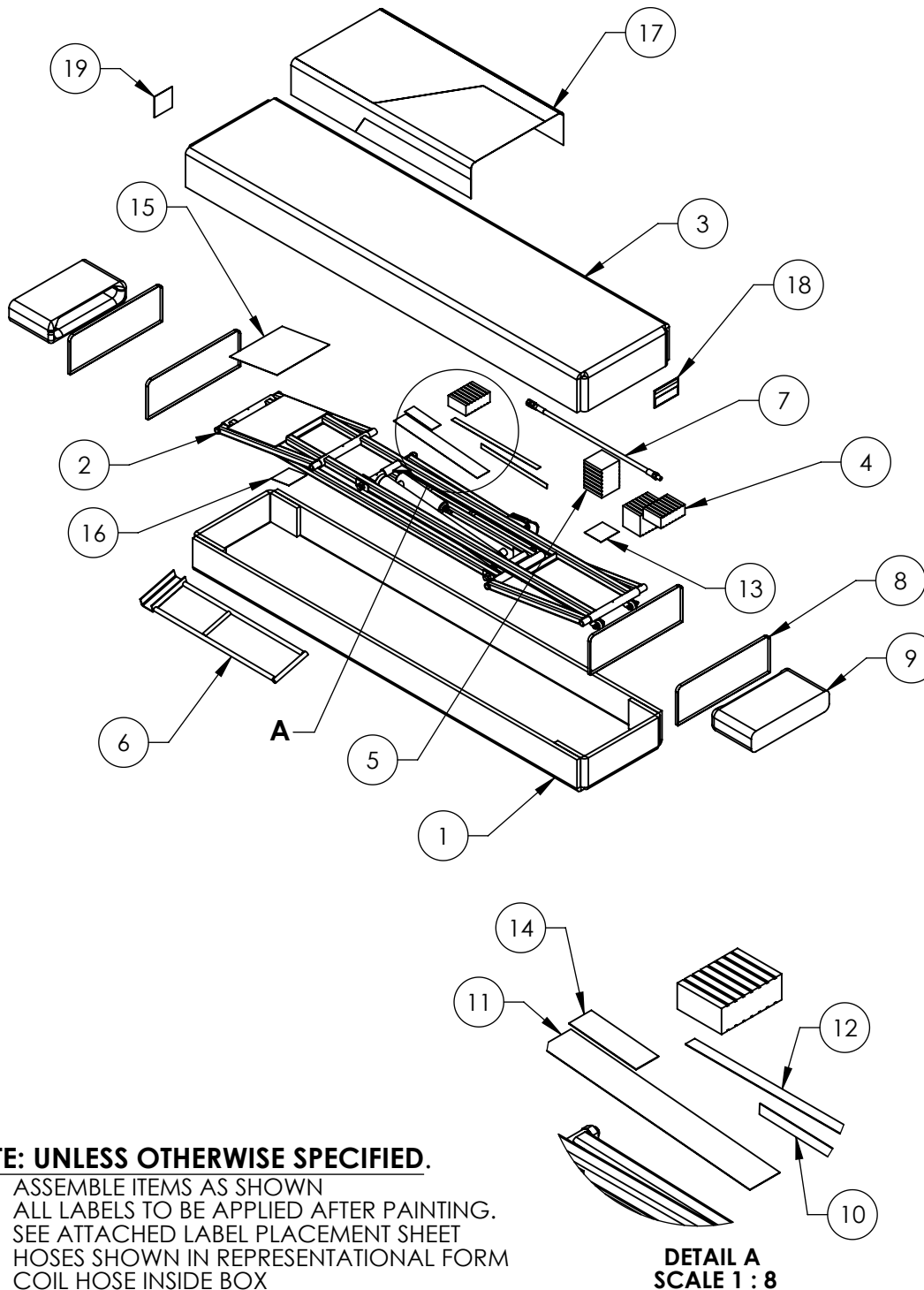
1645 LEMONWOOD DR. SANTA PAULA, CA 93060

TITLE: BL-3500SLX VER C PACKAGING, BOX 1

SIZE DWG. NO. A 5215245 REV D

SCALE: 1:20 SHEET 1 OF 1

REV	DESCRIPTION	REVISION	DATE	EDITED BY	ECO#
B	UPDATED BOM REVISIONS		08/10/2015	TM	00716
C	UPDATED BOM REVISION		08/31/2015	TM	00722
D	REPLACED 5930801 WITH 5905150, ADDED 5905285, UPDATED BOM REVISIONS		09/28/2015	TM	00731



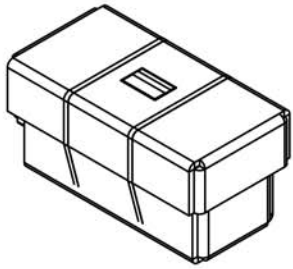
ITEM NO	PART NUMBER	DESCRIPTION	QTY	REV
1	5781118	BL-3500SLX BOX BOTTOM	1	A
2	5215415	BL-3500SLX FRAME ASSEMBLY, R.H.	1	D
3	5781117	BL-3500SLX BOX TOP	1	A
4	5300860	BL-3500SLX 38mm (1.5") RUBBER PAD	2	F
5	5300865	BL SERIES 75mm (3") RUBBER PAD	2	E
6	5600725	BL SERIES HANDLE WELDMENT	1	D
7	5570202	BL SERIES HOSE ASSEMBLY Ø6.4 x 603mm	1	C
8	5930575	.50" PLASTIC STRAPPING	4	A
9	5930101	INSTANT FOAM PACKAGING	--	--
10	5905581	DECAL: WARNING/SAFETY LOCK DEVICE/QUICKJACK	1	--
11	5905745	BL SERIES CYLINDER DECAL	1	--
12	5905750	BL SERIES CAUTION, KEEP HANDS CLEAR	1	--
13	5905765	BL SERIES DO NOT DRIVE ON LABEL	1	--
14	5905770	BL SERIES DANGER AIR LABEL	1	--
15	5905740	BL-3500SLX/ALX CAUTION LABEL	1	--
16	5905150	SERIAL NUMBER INTERIOR TAG PLATE	1	--
17	5905602	BL-3500LX Packaging-RIGHT, BOX/CARTON 2	1	--
18	5905611	BL SERIES CARTON 2 CONTENTS LABEL	1	--
19	5905285	SERIAL TAG EXTERIOR PEEL OFF INVENTORY LABEL	1	--

NOTE: UNLESS OTHERWISE SPECIFIED.

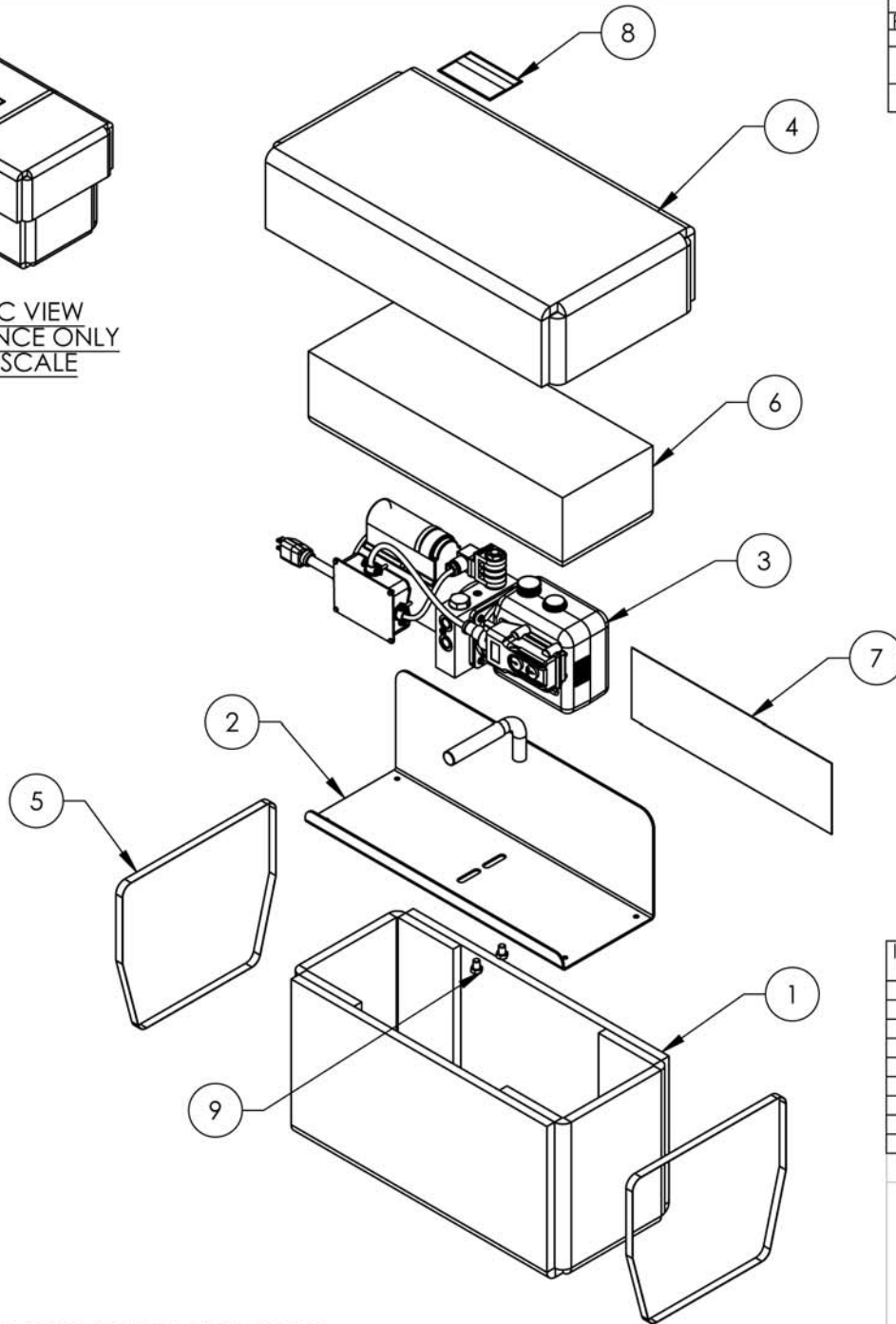
1. ASSEMBLE ITEMS AS SHOWN
2. ALL LABELS TO BE APPLIED AFTER PAINTING.
3. SEE ATTACHED LABEL PLACEMENT SHEET
4. HOSES SHOWN IN REPRESENTATIONAL FORM
5. COIL HOSE INSIDE BOX

**DETAIL A
SCALE 1 : 8**

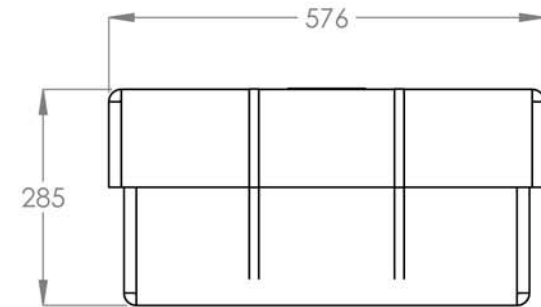
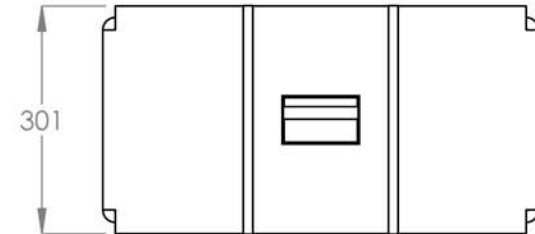
DO NOT SCALE DRAWING	NAME	DATE	1645 LEMONWOOD DR. SANTA PAULA, CA 93060
	TM	06/29/2015	
DIMENSIONS ARE IN MM 	CHECKED		TITLE: BL-3500SLX VER C PACKAGING, BOX 2
	THIRD ANGLE PROJECTION		
PROPRIETARY AND CONFIDENTIAL THE INFORMATION CONTAINED IN THIS DRAWING IS THE SOLE PROPERTY OF BENDPAK INC. ANY REPRODUCTION IN PART OR AS A WHOLE WITHOUT THE WRITTEN PERMISSION OF BENDPAK INC. IS PROHIBITED.			SCALE: 1:20 SHEET 1 OF 1



ISOMETRIC VIEW
FOR REFERENCE ONLY
DO NOT SCALE



REV	DESCRIPTION	REVISION	DATE	EDITED BY	ECO#
A	PRODUCTION RELEASE		06/26/2015	TM	00707
B	REPLACED 5905933 WITH 5930637, 800 WITH 5585426		08/10/2015	TM	00716
C	WAS 262 NOW 285, UPDATED BOM REVISION		09/03/2015	TM	00722



ITEM NO	PART NUMBER	DESCRIPTION	QTY	REV
1	5781291	BL SERIES POWER UNIT CARRIER BOX, BOTTOM	1	E
2	5600726	BL SERIES PUMP CARRIER WELDMENT	1	G
3	AS ORDERED	MINI ELECTRIC-HYDRAULIC POWER UNIT	1	--
4	5781292	BL SERIES POWER UNIT CARRIER BOX, TOP	1	D
5	5930575	.50" PLASTIC STRAPPING	2	A
6	5930101	INSTANT FOAM PACKAGING	--	A
7	5930637	DECAL; QUICK JACK WARNING INSTRUCTION; SLX, ALX	1	A
8	5905608	BL SERIES POWER UNIT CARTON 3 CONTENTS LABEL	1	--
9	5530262	HHB 3/8-16 x 1/2"	2	--

DO NOT SCALE DRAWING

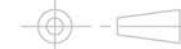
NAME	DATE
DRAWN TM	06/26/2015
CHECKED CA	09/10/2015

BendPak 1645 LEMONWOOD DR.
SANTA PAULA, CA 93060

DIMENSIONS ARE IN MM

THIRD ANGLE PROJECTION

TITLE: BL SERIES POWER UNIT
CARRIER PACKAGING,
BOX 3



SIZE DWG. NO. REV
A 5210087 C

PROPRIETARY AND CONFIDENTIAL
THE INFORMATION CONTAINED IN THIS DRAWING IS
THE SOLE PROPERTY OF BENDPAK INC. ANY
REPRODUCTION IN PART OR AS A WHOLE WITHOUT
THE WRITTEN PERMISSION OF BENDPAK INC. IS
PROHIBITED.

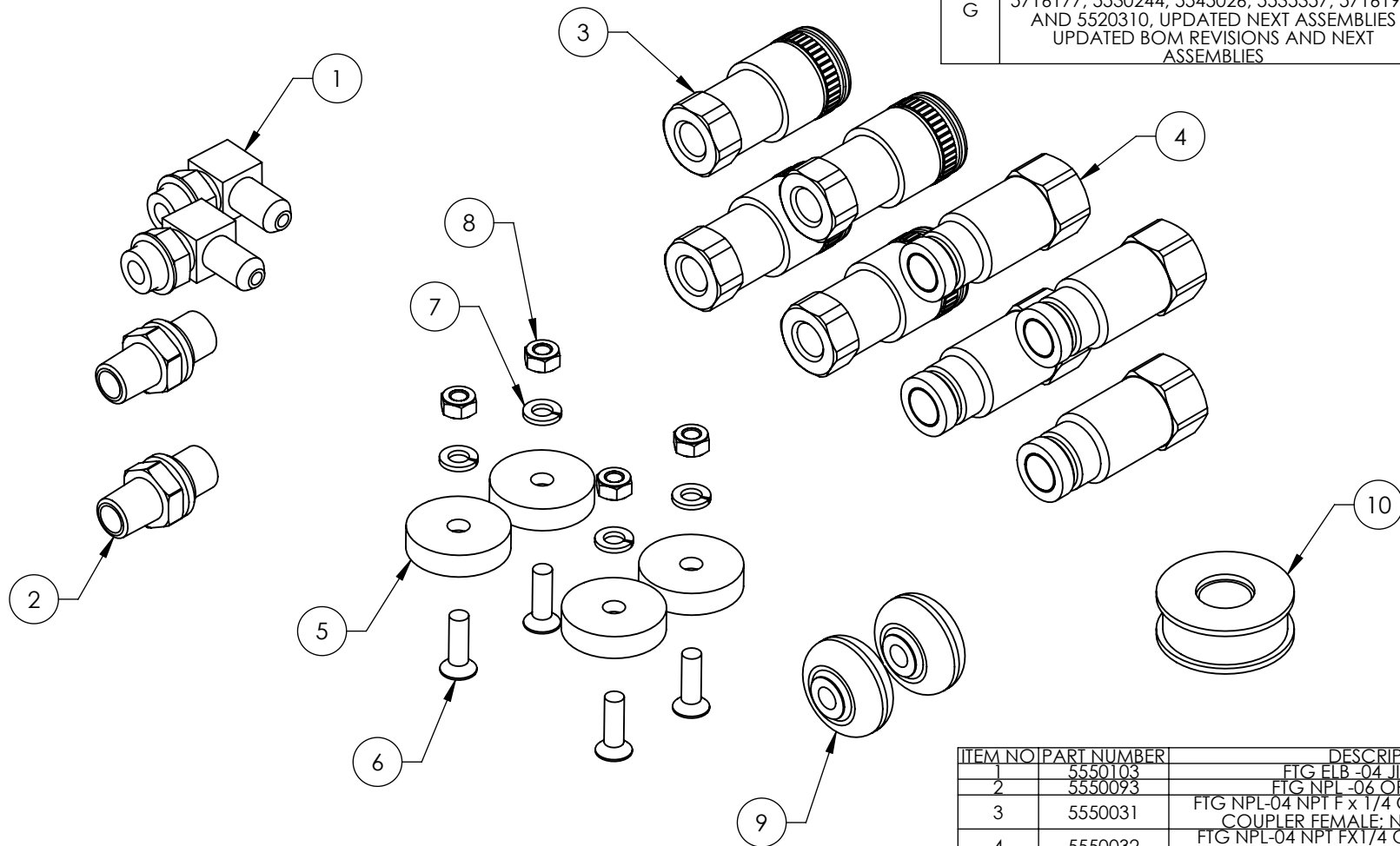
SCALE: 1:10

SHEET 1 OF 1

NOTE: UNLESS OTHERWISE SPECIFIED.

- SEE SHIPPING INSTRUCTIONS FOR FINAL PACKAGING
- ASSEMBLE ITEMS AS SHOWN

REVISION				
REV	DESCRIPTION	DATE	EDITED BY	ECO#
F	UPDATED BOM REVISION	03/30/2015	MR	00695
G	REMOVED 5215578, 5570203, 5570202, 5174675, 5530262, 5716027, AND 5530245, ADDED 5716177, 5530244, 5545026, 5535357, 5716192, AND 5520310. UPDATED NEXT ASSEMBLIES	06/29/2015	TM	00707



ITEM NO	PART NUMBER	DESCRIPTION	QTY	REV
1	5550103	FTG ELB-04 JIC-06 ORB	2	--
2	5550093	FTG NPL-06 ORB x-04 NPT	2	--
3	5550031	FTG NPL-04 NPT F x 1/4 QUICK-CONNECTOR COUPLER FEMALE: NON SPILL DESIGN	4	--
4	5550032	FTG NPL-04 NPT F x 1/4 QUICK-CONNECTOR COUPLER MALE: NON SPILL DESIGN	4	--
5	5716177	BL SERIES PLASTIC FOOT	4	C
6	5530244	FHPS M6 x 1 x 20	4	--
7	5545026	WASHER M6 x Ø12 SL	4	--
8	5535357	NUT M6 x 1.0 NL	4	--
9	5716192	BL SERIES PLASTIC WHEEL	2	A
10	5520310	TEFLON TAPE, 1.2mm	1	--

DO NOT SCALE DRAWING

NAME DATE

DRAWN TM 10/23/2013

CHECKED CA 07/08/2015

DIMENSIONS ARE IN MM

THIRD ANGLE PROJECTION



PROPRIETARY AND CONFIDENTIAL
THE INFORMATION CONTAINED IN THIS DRAWING IS THE SOLE PROPERTY OF BENDPAK INC. ANY REPRODUCTION IN PART OR AS A WHOLE WITHOUT THE WRITTEN PERMISSION OF BENDPAK INC. IS PROHIBITED.

BendPak 1645 LEMONWOOD DR.
SANTA PAULA, CA 93060

TITLE: BL SERIES PARTS BOX

SIZE DWG. NO. REV
A 5250005 G

SCALE: 1:2 SHEET 1 OF 1

NEXT ASSEMBLY
5215245
5215247
5215249
5260112
5260113
5260114

NOTE: UNLESS OTHERWISE SPECIFIED.

1. SEE SHIPPING INSTRUCTIONS FOR FINAL PACKAGING